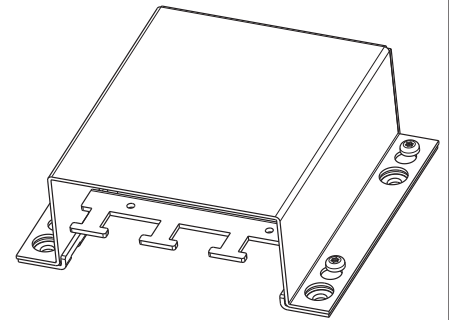
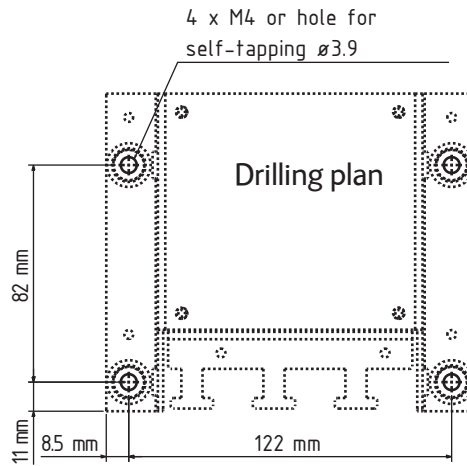
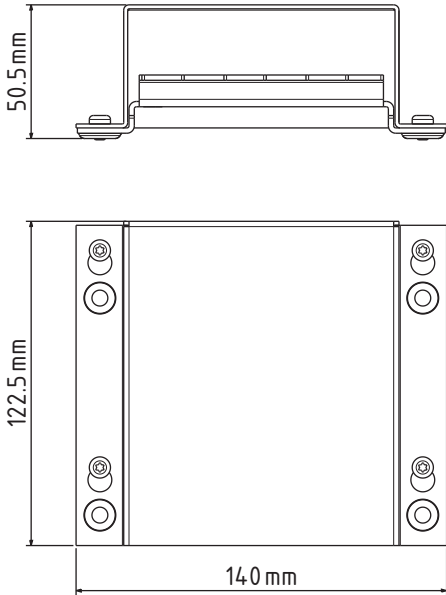


EXPLORER Connection Box

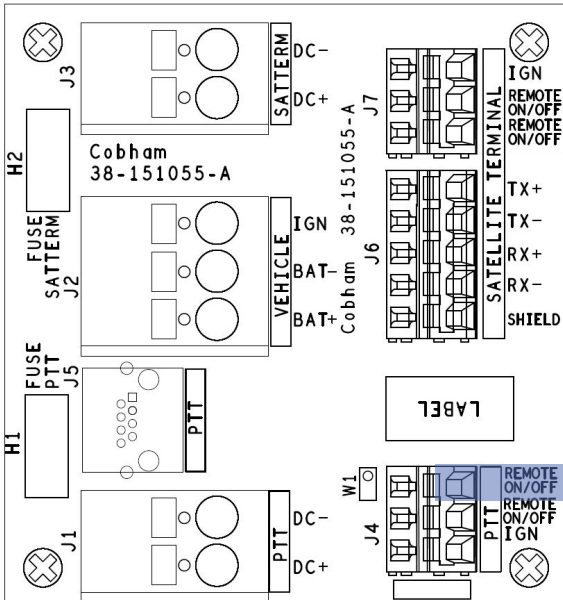
Installation guide

Dimensions and drilling plan



Part number: 403706A-050

EXPLORER 323 connections



Empty, not connected

Fuse PTT: 4 A

Fuse SATTERM: 7.5 A for use with 323

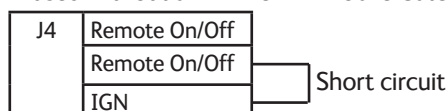
Important: The included 20 A fuse is for use of the connection box with the EXPLORER 325 terminal.

EXPLORER PTT	J1	DC+	EXPLORER PTT power cable	Thick red and thin red	Cable 1
		DC-	EXPLORER PTT power cable	Thick black	
	J4	Remote On/Off	Not connected		
		Remote On/Off	EXPLORER PTT power cable	Thin green	
		IGN	EXPLORER PTT power cable	Thin black	
	J5	RJ45 Ethernet	Ethernet cable		Cable 2
W1	Ground jumper	Not connected for EXPLORER 325 and EXPLORER 323.			

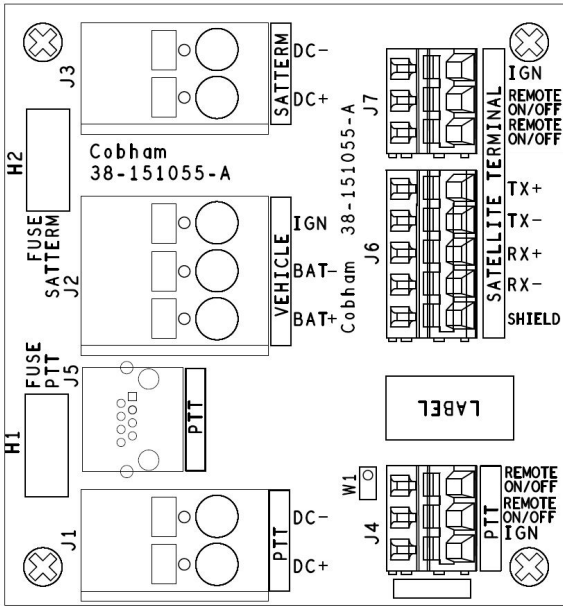
EXPLORER 323	J3	DC+	EXPLORER 323 cable	Red	Cable 4
		DC-	EXPLORER 323 cable	Black	
	J6	Ethernet shield	EXPLORER 323 cable	Silver	
		Ethernet Rx-	EXPLORER 323 cable	Green	
		Ethernet Rx+	EXPLORER 323 cable	Green/White	
		Ethernet Tx-	EXPLORER 323 cable	Orange	
	J7	Ethernet Tx+	EXPLORER 323 cable	Orange/White	
		IGN	EXPLORER 323 cable	Blue	
Remote On/Off		Not connected			
Remote On/Off	Not connected				

Vehicle	J2	Bat+	Red	Cable 3
		Bat-	Black	
	IGN	Typically yellow		

If used without an EXPLORER Mobile Gateway (PTT terminal) modify J4:



EXPLORER 122 connections



Fuse PTT: 4 A

Fuse SATTERM: 7.5 A for use with EXPLORER 122

Important: The included 20 A fuse is for use of the connection box with the EXPLORER 325 terminal.

EXPLORER PTT	J1	DC+	EXPLORER PTT power cable	Thick red	Cable 1
		DC-	EXPLORER PTT power cable	Thick black	
	J4	Remote On/Off	EXPLORER PTT power cable	Thin orange	
		Remote On/Off	EXPLORER PTT power cable	Thin green	
		IGN	EXPLORER PTT power cable	Thin black	
J5	RJ45 Ethernet	Ethernet cable		Cable 2	
W1	Ground jumper	Connected for EXPLORER 122			

EXPLORER 122	J3	DC+	EXPLORER 122 cable	Red	Cable 4
		DC-	EXPLORER 122 cable	Black	
	J6	Ethernet shield	EXPLORER 122 cable	Silver	
		Ethernet Rx-	EXPLORER 122 cable	Orange	
		Ethernet Rx+	EXPLORER 122 cable	Orange/White	
		Ethernet Tx-	EXPLORER 122 cable	Green	
		Ethernet Tx+	EXPLORER 122 cable	Green/White	
J7	IGN	EXPLORER 122 cable	Blue		
	Remote On/Off	Not connected			
	Remote On/Off	Not connected			

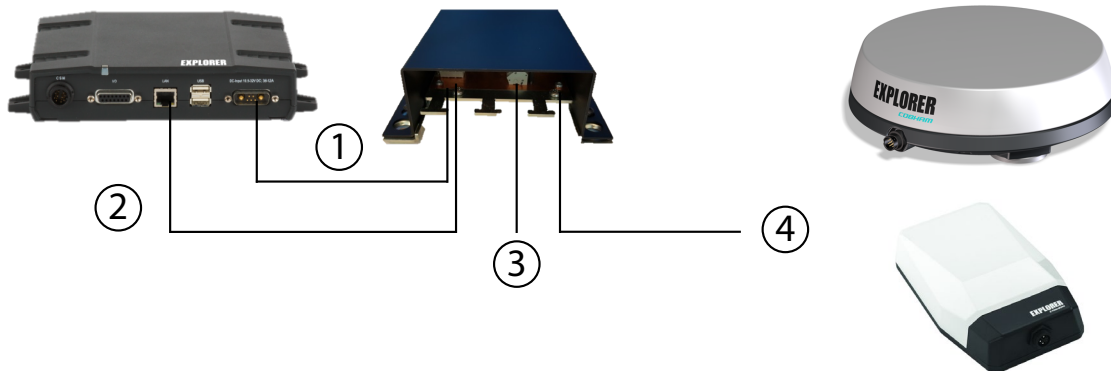
Vehicle	J2	Bat+	Red	Cable 3
		Bat-	Black	
		IGN	Typically yellow	

System overview

EXPLORER PTT terminal

Connection box

EXPLORER 323 or EXPLORER 122



Number	Cable	Description
1	Power	Supplied with EXPLORER Push-To-Talk terminal
2	Ethernet	Supplied with EXPLORER Push-To-Talk terminal
3	DC power and ignition from vehicle	Not supplied
4	Combined power and Ethernet	EXPLORER 323: Included in the delivery. Length: 6 m. EXPLORER 122: Optional accessory. This cable is described in detail in the EXPLORER 122 manual.

Disclaimer: Any responsibility or liability for loss or damage in connection with the use of this product and the accompanying documentation is disclaimed by Thrane & Thrane A/S. The information in this manual is provided for information purposes only, is subject to change without notice and may contain errors or inaccuracies. The manuals are periodically revised and updated. Anyone relying on this information should acquire the most current version e.g. from cobham.com/satcom or from the distributor. Thrane & Thrane A/S is not responsible for the content or accuracy of any translations or reproductions, in whole or in part, of this manual from any other source. Thrane & Thrane A/S trading as Cobham SATCOM. Copyright © 2020 Thrane & Thrane A/S. All rights reserved.