

ACTIVE ANTENNA AKTIVE ANTENNE ANTENA ACTIVA ANTENNE ACTIVE ANTENNA ATTIVA **AH-41**

Thank you for choosing this Icom product.
READ ALL INSTRUCTIONS carefully and completely before using this product.

ENGLISH

EXPLICIT DEFINITIONS

WORD	DEFINITION
WARNING!	Personal injury, fire hazard or electric shock may occur.
CAUTION	Equipment damage may occur.
NOTE	If disregarded, inconvenience only. No risk of personal injury, fire or electric shock.

Icom is not responsible for the destruction, damage to, or performance of any Icom or non-Icom equipment, if the malfunction is because of:

- Force majeure, including, but not limited to, fires, earthquakes, storms, floods, lightning, other natural disasters, disturbances, riots, war, or radioactive contamination.
- The use of Icom antennas with any equipment that is not manufactured or approved by Icom.

Icom and the Icom logo are registered trademarks of Icom Incorporated (Japan) in Japan, the United States, the United Kingdom, Germany, France, Spain, Russia, Australia, New Zealand, and/or other countries.

Icom Inc.

1-1-32 Kamiminami, Hirano-ku,
Osaka 547-0003, Japan
Jul. 2022

A7606W-1EX-3
Printed in Japan
© 2020-2022 Icom Inc.

PRECAUTIONS

WARNING HIGH RF VOLTAGE! NEVER touch an antenna or antenna connector while transmitting. This could cause an electrical shock or burn.

WARNING HIGH RF VOLTAGE! NEVER install the antenna at any place that person easily touch the antenna while transmitting. This could cause an electrical shock or burn.

WARNING! NEVER disassemble, modify or repair the antenna. This may result in an electrical shock, cause a fire or damage the antenna.

WARNING! NEVER touch the antenna with wet hands. This may result in an electrical shock or damage the antenna.

CAUTION: DO NOT put the antenna in any unstable place, such as on a slanted surface or a place that vibrates. This may cause an injury and/or damage the antenna.

CAUTION: DO NOT use the antenna in strong magnetic fields or in an area with high static electricity. This could damage the antenna.

CAUTION: DO NOT use harsh solvents such as benzene or alcohol to clean the antenna, as they can damage the antenna's surfaces. If the antenna becomes dusty or dirty, wipe it clean with a dry, soft cloth.

CAUTION: The antenna meets IP67 requirements for dust-tight and waterproof protection. However, once the antenna has been dropped, dust-tight and waterproof protection cannot be guaranteed because of possible damage to the antenna's case or the waterproof seal.

NOTE: When the antenna is not in use, disconnect the Power adapter from an AC outlet. The Power adapter consumes power when connected to the AC outlet.

DO NOT place or leave the antenna in excessively dusty environments.

SAFETY TRAINING INFORMATION



Your Icom radio generates RF electromagnetic energy during transmit mode. This radio is designed for and classified as "Occupational Use Only", meaning it must be used only during the course of employment by individuals aware of the hazards, and the ways to minimize such hazards. This radio is NOT intended for use by the "General Population" in an uncontrolled environment.

- For compliance with FCC and IC RF Exposure Requirements, the transmitter antenna installation shall comply with the following three conditions:

1. The transmitter antenna gain shall not exceed -3 dBi.
2. The antenna is required to be located and kept at a distance of 20 centimeters (7.9 inches) or more between the transmitting antenna of this device and any persons during operation.
3. Transmit only when people are at least the recommended minimum distance of 20 centimeters (7.9 inches) away from the properly installed antenna. This separation distance will ensure that there is sufficient distance from an antenna to satisfy the RF exposure requirements in the applicable RF exposure compliance standards.



To ensure that your exposure to RF electromagnetic energy is within the FCC and IC allowable limits for occupational use, always adhere to the following guidelines:

- **DO NOT** operate the radio without a proper antenna attached, as this may damage the radio and may also cause you to exceed FCC and IC RF exposure limits. A proper antenna is the antenna supplied with this radio by the manufacturer or an antenna specifically authorized by the manufacturer for use with this radio.
- **DO NOT** transmit for more than 50% of total radio use time ("50% duty cycle"). Transmitting more than 50% of the time can cause FCC and IC RF exposure compliance requirements to be exceeded. The radio is transmitting when the status indicator lights red. You can cause the radio to transmit by pressing the "PTT" switch.

Electromagnetic Interference/Compatibility

During transmissions, your Icom radio generates RF energy that can possibly cause interference with other devices or systems. To avoid such interference, turn off the radio in areas where signs are posted to do so. **DO NOT** operate the transmitter in areas that are sensitive to electromagnetic radiation such as hospitals, aircraft, and blasting sites.

FCC INFORMATION

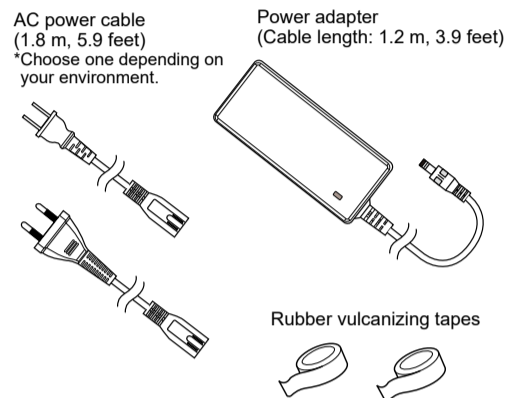
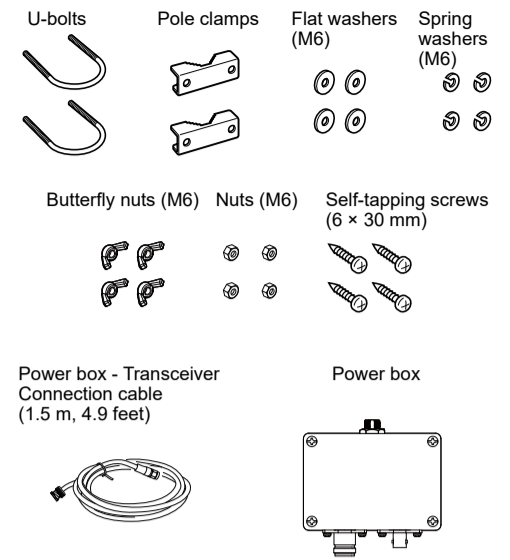
This equipment has been tested and found to comply with the limits for a Class B digital device, pursuant to part 15 of the FCC Rules. These limits are designed to provide reasonable protection against harmful interference in a residential installation. This equipment generates, uses, and can radiate radio frequency energy and, if not installed and used in accordance with the instructions, may cause harmful interference to radio communications. However, there is no guarantee that interference will not occur in a particular installation. If this equipment does cause harmful interference to radio or television reception, which can be determined by turning the equipment off and on, the user is encouraged to try to correct the interference by one or more of the following measures:

- Reorient or relocate the receiving antenna.
- Increase the separation between the equipment and receiver.
- Connect the equipment into an outlet on a circuit different from that to which the receiver is connected.
- Consult the dealer or an experienced radio/TV technician for help.

CAUTION: Changes or modifications to this device, not expressly approved by Icom Inc., could void your authority to operate this device under FCC regulations.

This device complies with part 15 of the FCC Rules. Operation is subject to the following two conditions: (1) This device may not cause harmful interference, and (2) this device must accept any interference received, including interference that may cause undesired operation.

SUPPLIED ACCESSORIES



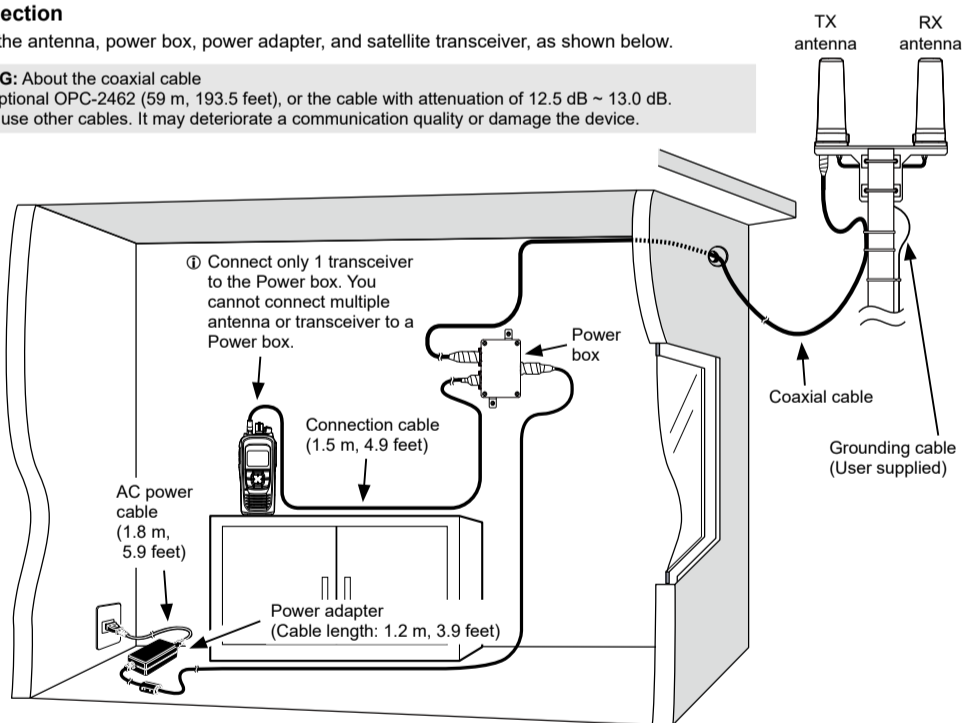
INSTALLATION

◇ Connection

Connect the antenna, power box, power adapter, and satellite transceiver, as shown below.

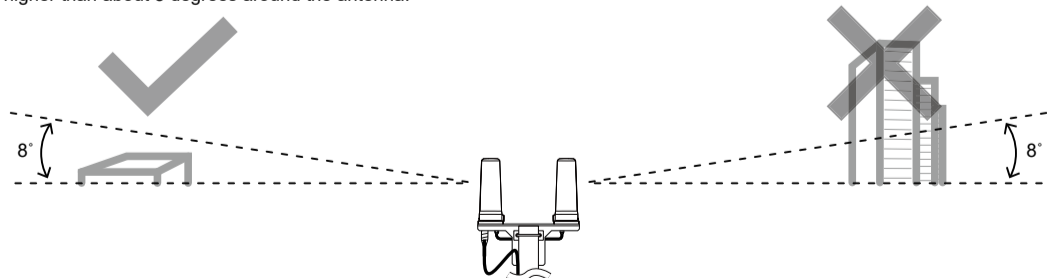
WARNING: About the coaxial cable

Use an optional OPC-2462 (59 m, 193.5 feet), or the cable with attenuation of 12.5 dB ~ 13.0 dB. **DO NOT** use other cables. It may deteriorate a communication quality or damage the device.



◇ About the antenna position

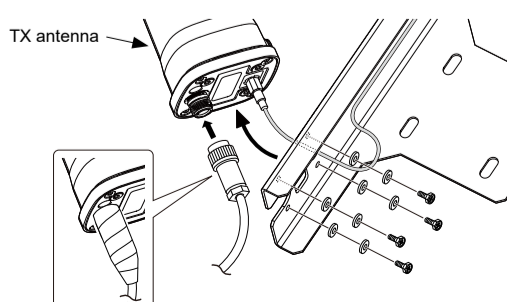
Install the antenna in a place with a clear view of the sky. Make sure that there are no obstacles, such as buildings or trees, at higher than about 8 degrees around the antenna.



◇ Attaching the coaxial cable to the antenna

Wrap the antenna connector with the supplied Rubber vulcanizing tape to prevent water seepage. **1** Wrap electrical tape over the rubber vulcanizing tape to secure waterproofing.

TIP: To firmly attach the coaxial cable, remove the TX antenna as shown below. Re-attach the TX antenna after attaching the cable.

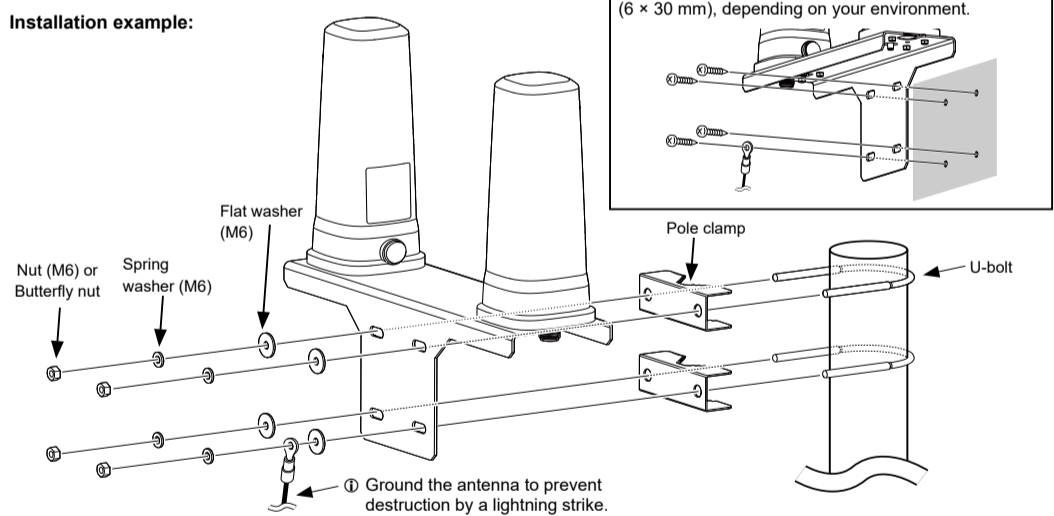


◇ Installing the antenna

Install the antenna on a 40 ~ 60 mm (1.5 ~ 2.4 inch) diameter pole using the supplied accessories, as shown below.

- ① Install the antenna in a place with a clear view of the sky.
- ① Install in a place where direct lightning protection is provided, such as a lightning rod.
- ① Confirm no other antennas are placed within 10 m (32 feet).
- ① Do not tilt the antenna. Keep the antenna pole vertical to the ground.

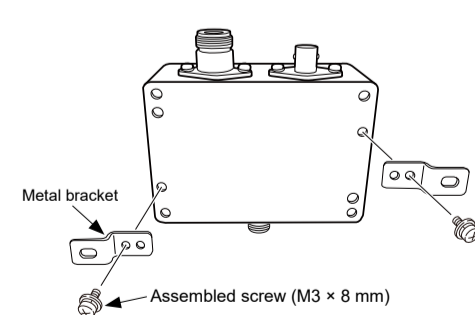
Installation example:



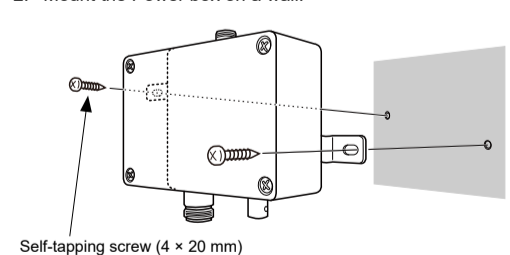
◇ Installing the Power box

Install the supplied Power box on a wall, as shown below.

1. Attach the supplied metal brackets to the back of the Power box.
2. Mount the Power box on a wall.



2. Mount the Power box on a wall.



TIP: You can also use the supplied Screws (M4 x 12 mm), Spring Washers (M4), Flat-Washers (M4), and Nut (M4), depending on your environment.

◇ Attaching cables to the Power box

Wrap the Power box's connectors with the supplied Rubber vulcanizing tape as shown to the right, to protect from dust and moisture.

WARNING! NEVER connect the Power adapter until complete all of the connection to prevent electric shock or circuit short during connection work. When the power adapter is connected, the voltage of DC 28.5V is output from the N-J antenna connector.

