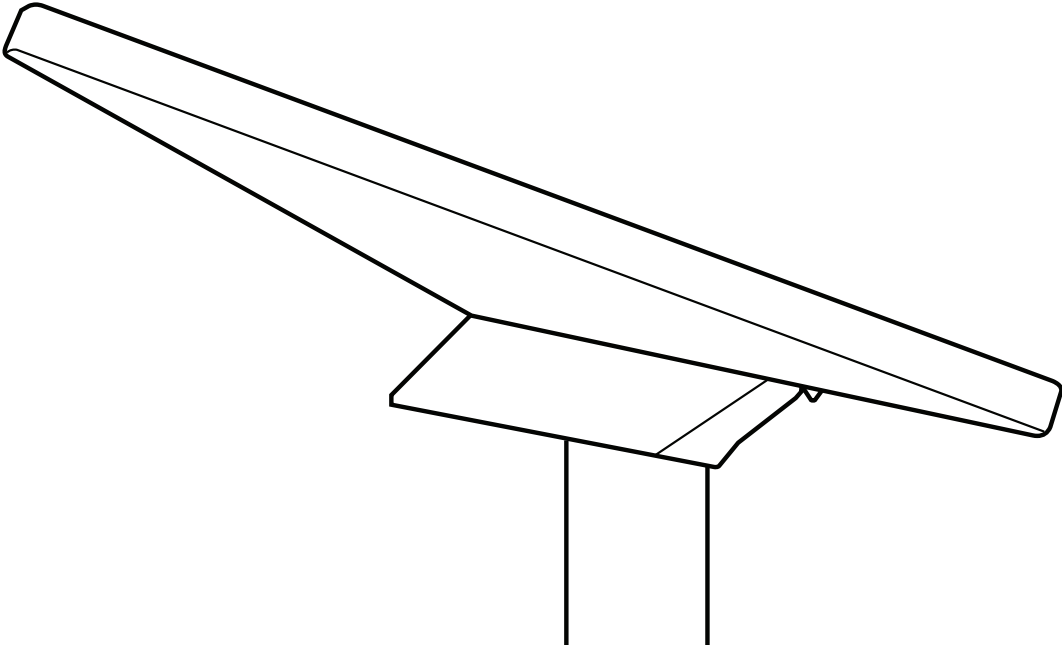
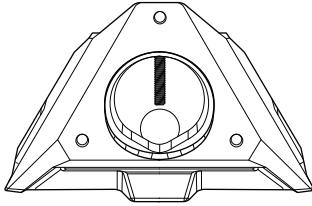


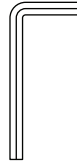
STARLINK | PIPE ADAPTER AND FLAT MOUNT INSTALL GUIDE



What's In The Box

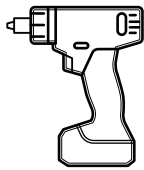


Pipe Adapter and Flat Mount



Hex Key

Recommended Tools



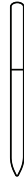
Drill / Impact Driver



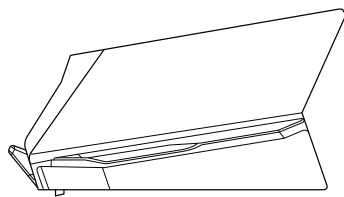
Drill Bit
4.5 mm (3/16in)



Drill Bit
6.5 mm (1/4in)

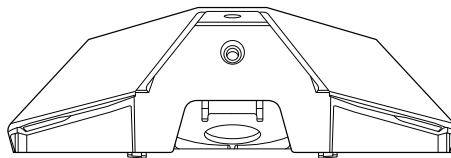


Pen

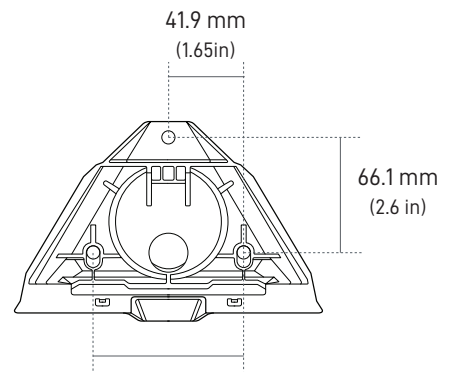


103.5 mm
(4.07 in)

58.1 mm
(2.29 in)



172.7 mm
(6.8 in)



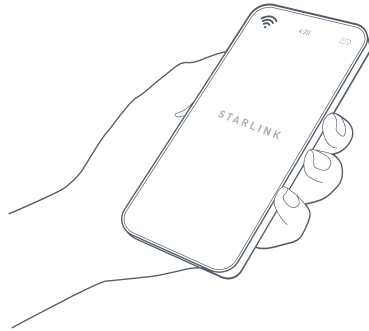
41.9 mm
(1.65in)

66.1 mm
(2.6 in)

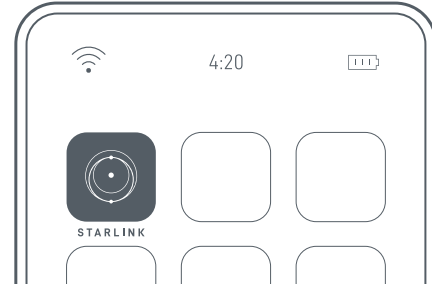
83.9 mm
(3.3 in)

1 | Download the Starlink App

Scan the QR code to download the Starlink App.

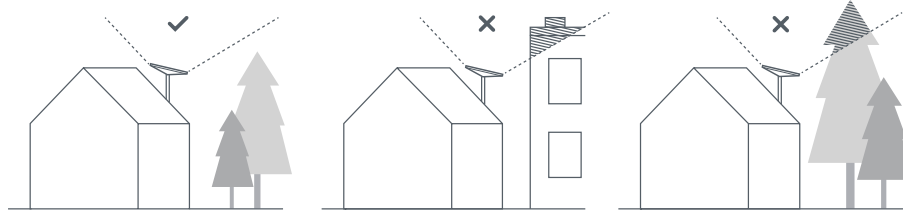
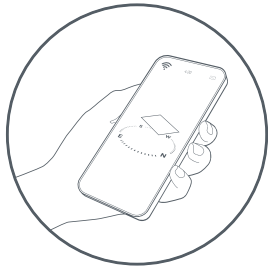


setup.starlink.com



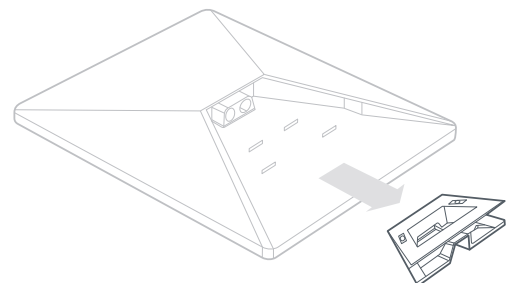
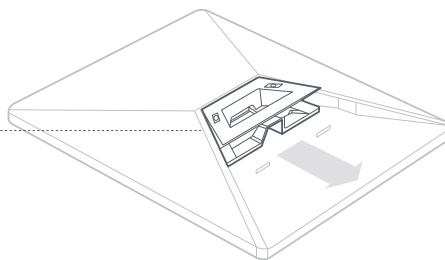
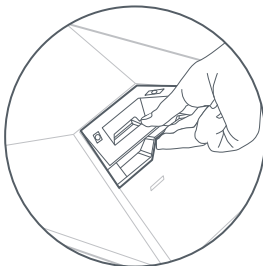
2 | Find Mounting Location

Your Starlink needs a clear view of the sky so it can stay connected with satellites as they move overhead. Objects that obstruct the connection between your Starlink and the satellite will cause service interruptions. Use the obstructions tool in your App to ensure you have selected a suitable mounting location.



3 | Remove Kickstand

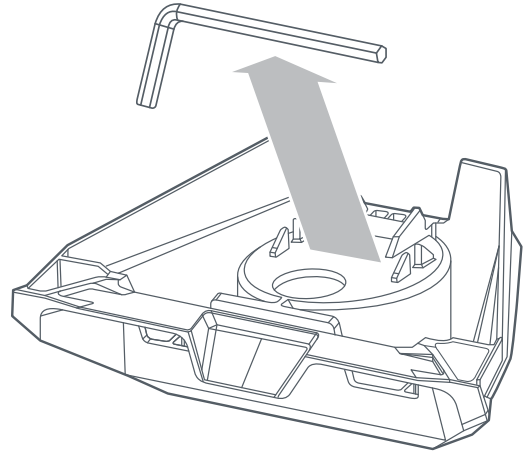
Squeeze the release tab and pull it away from its fixed location.



PIPE ADAPTER INSTALLATION

1 | Remove Hex Key

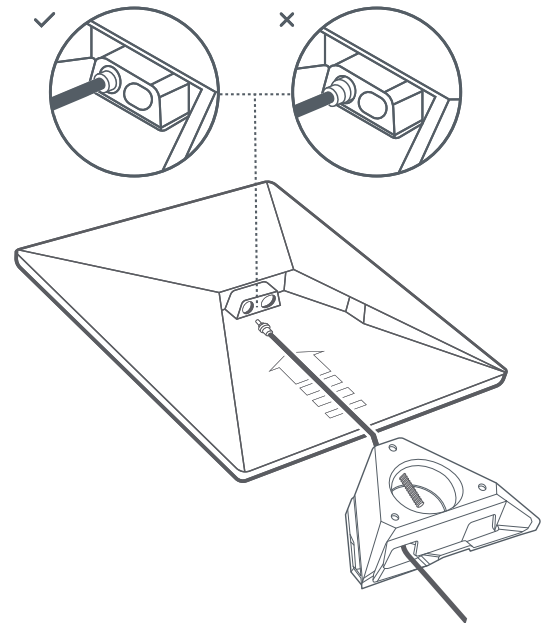
Remove hex key from the bottom of the mount.



2 | Route Cable and Install Mount

Route the power cable through the opening in the mount and out the front end.

Plug the cable into your Starlink and ensure the plug is fully inserted such that the plug face is flush with the surface.

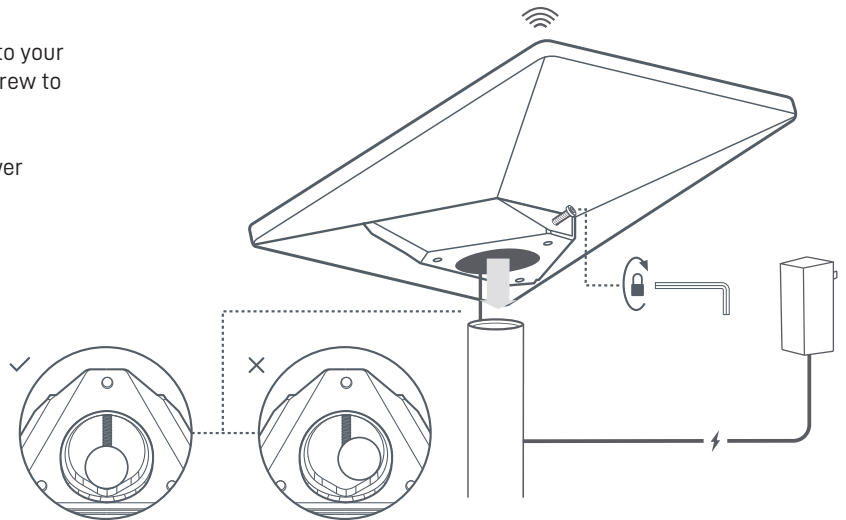


PIPE ADAPTER INSTALLATION

3 | Mount Starlink to Pipe

Loosen the attachment screw and slide the mount onto your mounting pipe. Temporarily tighten the attachment screw to stabilize Starlink onto pipe.

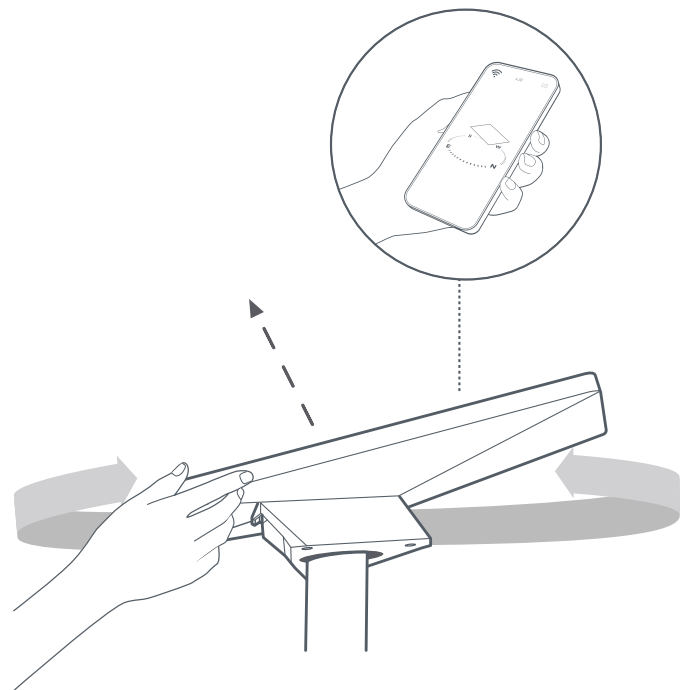
Connect the other end of the Starlink cable to the power supply and plug it into power outlet.



4 | Align Your Starlink

An alert on the App will show if you need to rotate Starlink to be properly aligned.

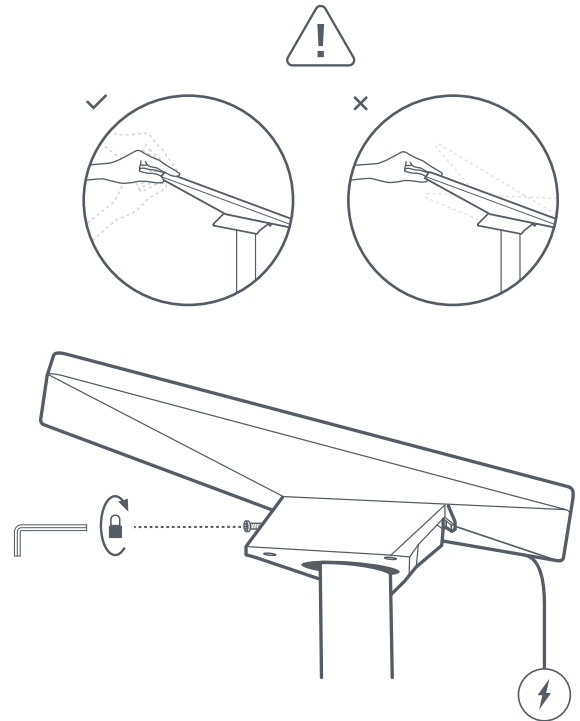
Click the alert to use the alignment tool.



PIPE ADAPTER INSTALLATION**5 | Lock Alignment**

Tighten the attachment screw with the hex key on the mount until hand tight to lock your Starlink in place.

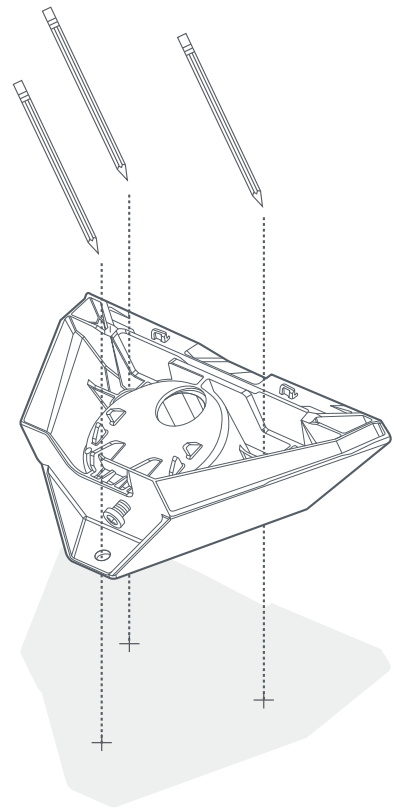
Ensure your Starlink is firmly attached.



FLAT MOUNT INSTALLATION

1 | Mark the Pilot Holes

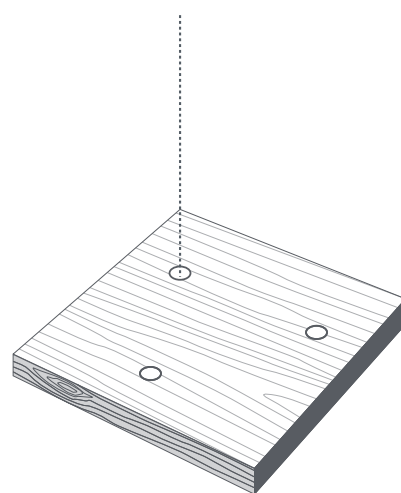
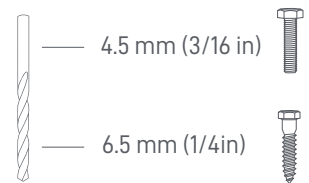
Identify the installation location and mark the location of the 3 holes on your Mini Pipe Adapter and Flat Mount using a pen or pencil.



2 | Drill the Pilot Holes

Drill the pilot holes based on your preferred hardware. We recommend using a 6 mm (1/4 in) screw or bolt. For wood screws, use a 4.5 mm (3/16 in) drill bit and for bolts, use a 6.5 mm (9/32 in) drill bit.

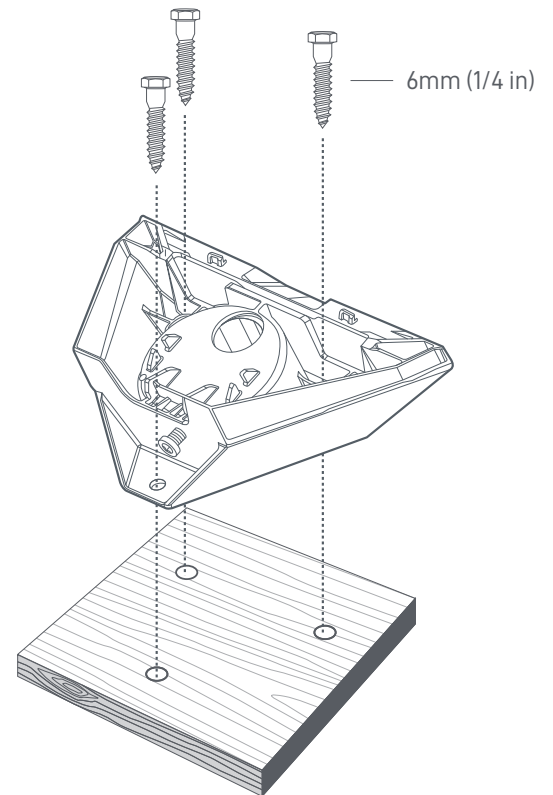
A mounting surface of at least 0.5in thick is recommended if using a wood screw.



FLAT MOUNT INSTALLATION

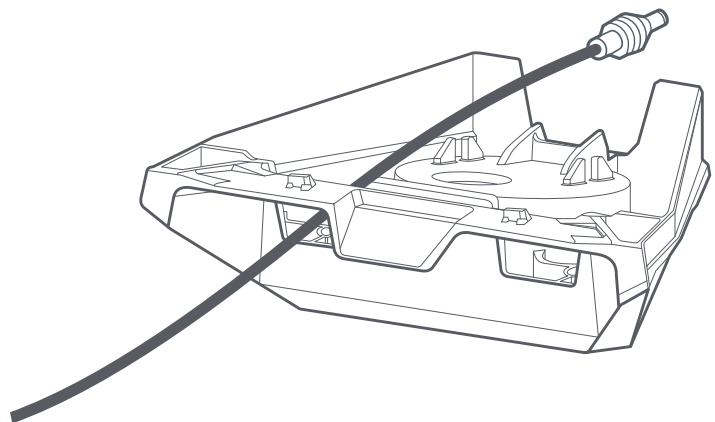
3 | Screw Mount to Surface

Secure the mount to surface. Fasteners not included. We recommend using a 6 mm (1/4 in) screw or bolt.



4 | Route Cable Through Mount

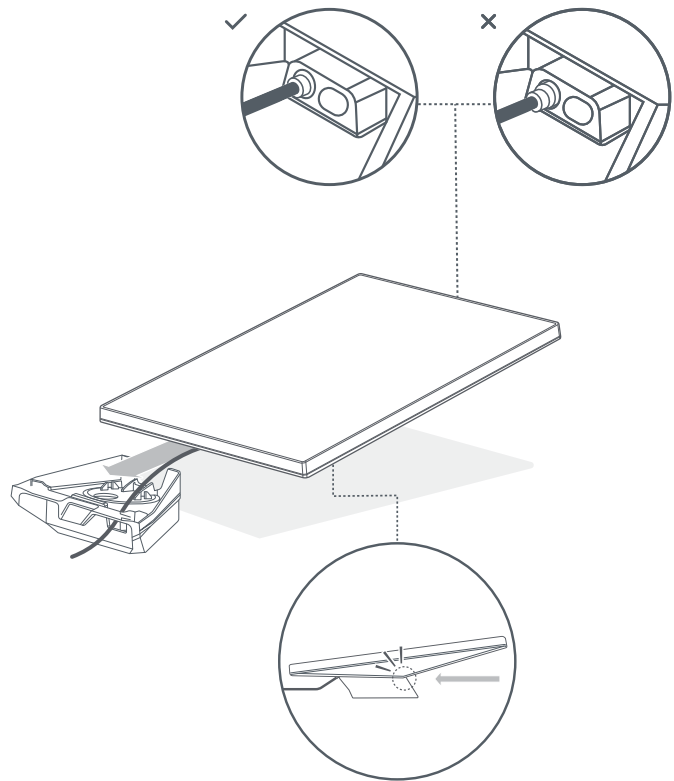
Route the Starlink cable through the opening in the mount and out the front end.



FLAT MOUNT INSTALLATION

5 | Plug in Cable and Install Starlink

Plug the ethernet cable into your Starlink and ensure the ethernet cable is fully inserted. Slide your Starlink into the mount until it clicks into place.



Removing Your Starlink

If you need to remove your Starlink, push down on the release tab on the mount while pushing your Starlink away from you.

